

# How To Measure

## Blinds & Shades

## Measuring Considerations

Hardware may be installed either on the ceiling or the wall. When wall mounting consider mounting half way between the ceiling and the window opening as shown above.

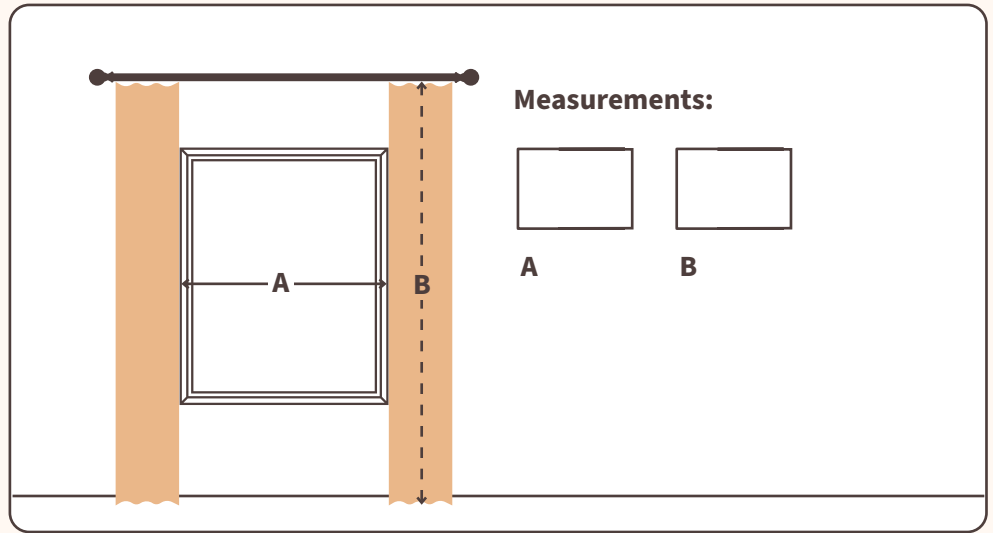
Measure the width you wish to cover all styles come with fullness built in, so order the width needed.

For single panel drapery, if space and rod width allows, add 6-12" to window width measurement on the side you wish to stack your drapery.

## Need Assistance?

Feel free to contact a City Shade Associate for help with Installing.  
(877)-224-8974  
support@cityshadecompany.com  
www.cityshadecompany.com

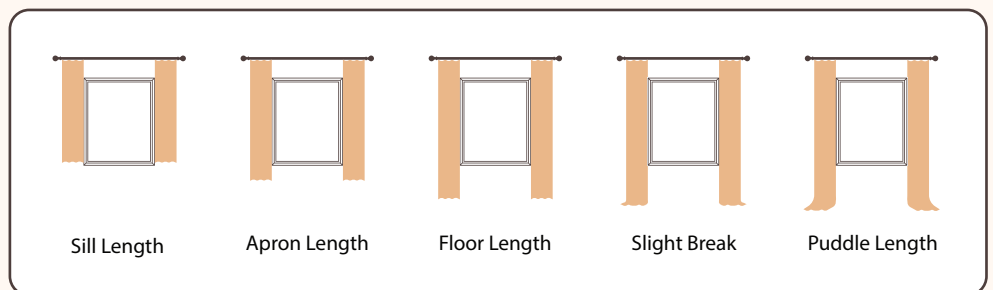
## Know what you want?



**Step A** - Measure the width of your window opening, then add 6-12" to your overall measurement.

**Step B** - Measure from your desired drapery rod height, down to the desired finished length.

## Common Styles



**Sill** - A recommended style for any window that sits above furniture.

**Apron** - Add 3-4" to height from sill for a little more style while avoiding furniture.

**Floor** - For a fuller look, subtract ½" off the floor from to rod to floor measurements.

**Break** - Breaks create a look many designers love. Add 1-2" to your height measurement from floor length for a stylish look.

**Puddle** - To create a grand and dramatic look, add 10-12" to your height measurement from floor length to successfully obtain a puddle look.

# How To Measure

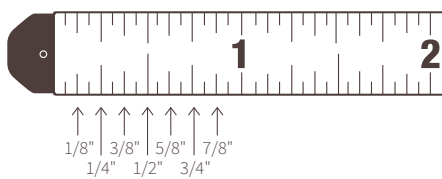
## Draperies

## Additional Considerations

Rods should be 6-12" wider than the window opening.


2" minimum flat surface is needed to mount rod.

When taking measurements, round down to the nearest 1/8" of an inch each for the best fit.



## Need Assistance?

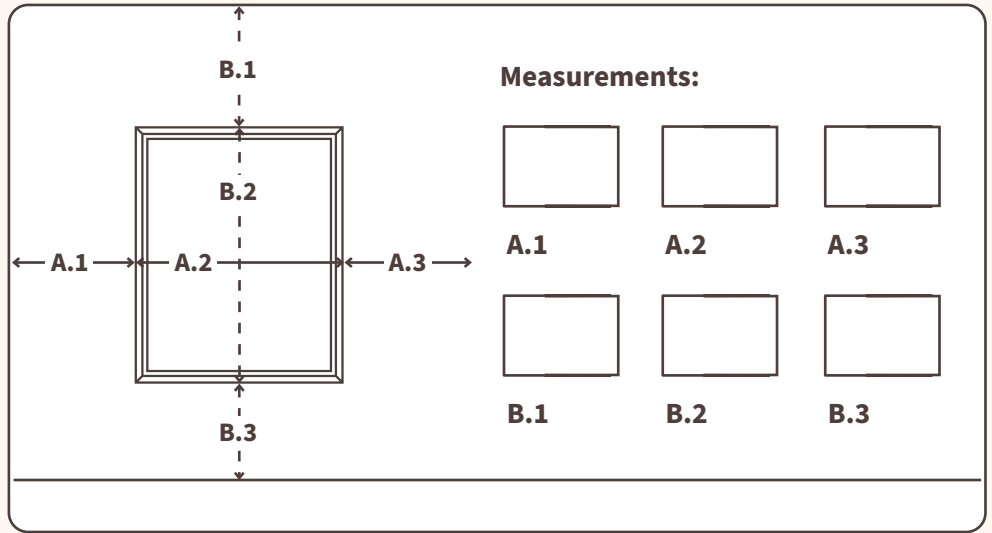
Feel Free to Contact a City Shade Associate for help with measuring.

 (877)-224-8974

 [support@cityshadecompany.com](mailto:support@cityshadecompany.com)

 [www.cityshadecompany.com](http://www.cityshadecompany.com)

## Need Guidance?



**Step A.1** - Measure from left window trim/opening to desired ending.

**Step A.2** - Measure the width of inside window opening.

**Step A.3** - Measure from right window trim/opening to desired ending.

**Step B.1** - Measure from the ceiling to the top of window trim/opening.

**Step B.2** - Measure top to bottom of window trim/opening.

**Step B.3** - Measure from the floor to the bottom of window trim/opening.

## Notes:

*Is there anything you think we need to know about your window to make the best recommendation for you? Any obstructions? Is the window used frequently? Can it be opened?*